

KFC-241

*Industrial Compact 10/100BASE-TX to 100BASE-FX
Media Converters*



Specifications



Copper Port

- 10/100 Mbps RJ-45 support
- Auto-negotiation, Auto-MDI/MDI-X

Fiber Port

- 100 Mbps full duplex
- MMF or SMF support
- Far End Fault support

- * **Support Link Fault Pass Through**
- * **Operating Temperature -20 ~ +70°C**
- * **Industrial-rated EMC**

Advantage: Two Model Options



KFC-241-L (Low DC Input)

Operating Voltage: +4.5 ~ +50 VDC

DC IN Connectors: Terminal Block , DC-Jack

Power Consumption: 1.6W@7.5V

Dimension: 34 x 49 x 56 mm (W x D x H)



KFC-241-H (High DC Input)

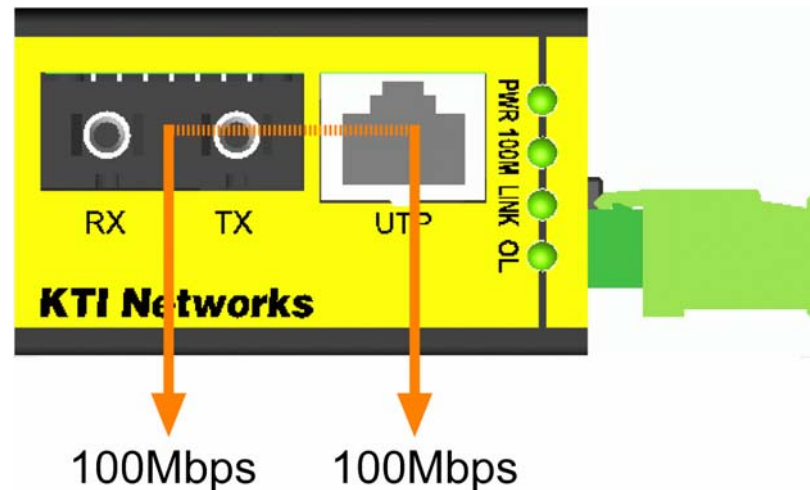
Operating Voltage: +110 VDC

DC IN Connectors: Terminal Block

Power Consumption: 2.9W@110V

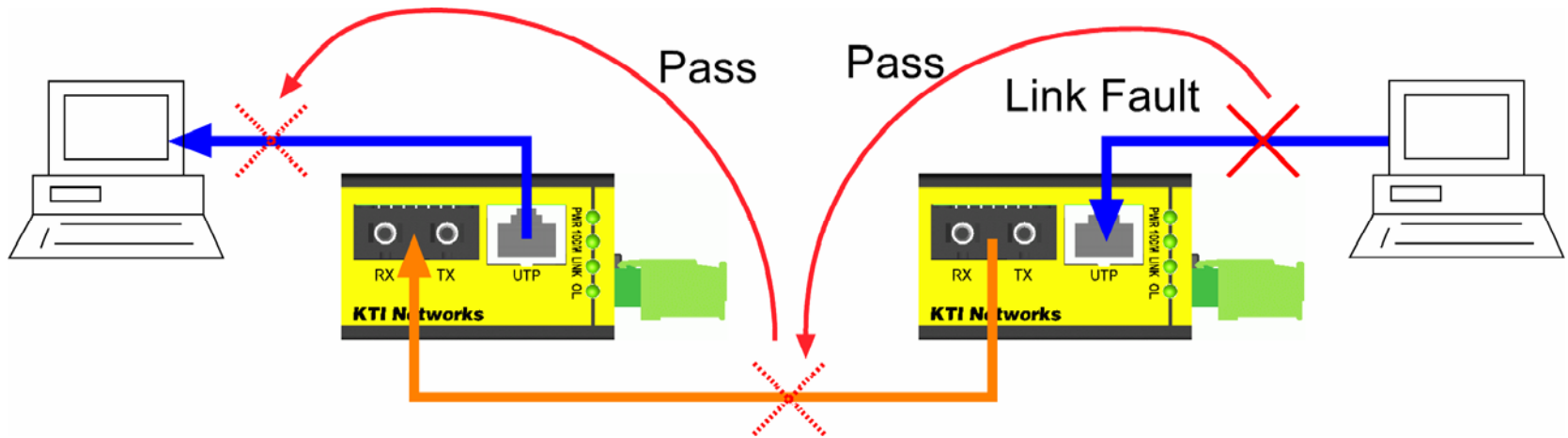
Dimension: 45.5 x 49 x 56 mm (W x D x H)

Benefit 1: Direct Conversion



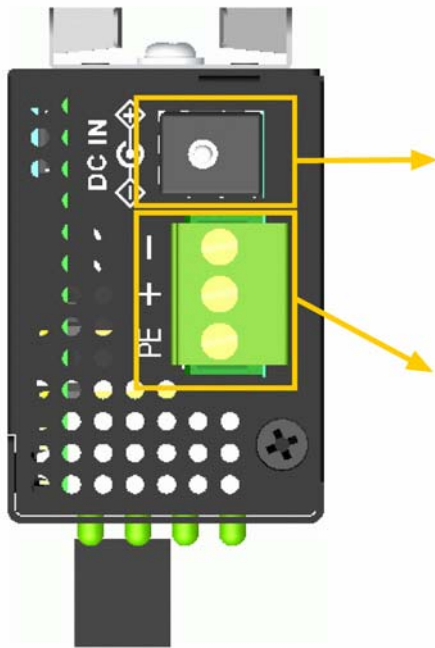
- No bridging
- Direct conversion for 100M-to-100M
- The best Cut-Through latency

Benefit 2: Link Fault Pass Through



The device at local end is able to detect link fault at the remote copper connection.

Benefit 3: Power Interfaces



DC-Jack

Supports AC-DC adapter type power

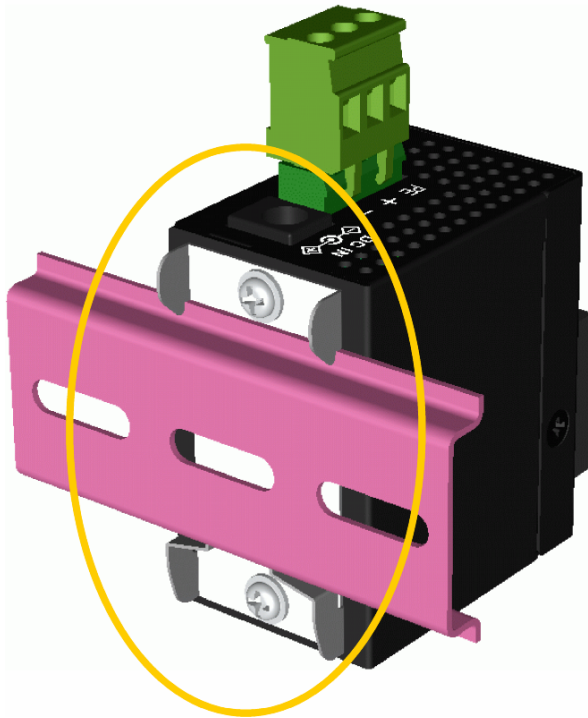
Terminal block

Supports industrial power system

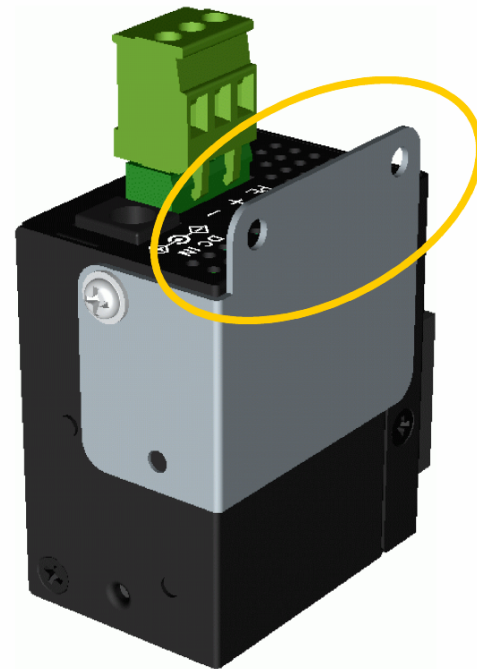
* KFC-241-H provides Terminal block only.

Benefit 4: Mounting Flexibility

Din-Rail mounting



Panel mounting



Benefit 5: Industrial Design

Wide Operating Temperature Range

Typical -20°C ~ 70°C, No Fan Design

Wide Operating Voltage Range

KFC-241-L : +4.5 ~ +50 VDC

KFC-241-H : +110 VDC

Industrial Power Interfaces

KFC-241-L : Industrial screw terminal block and DC-Jack

KFC-241-H : Industrial screw terminal block

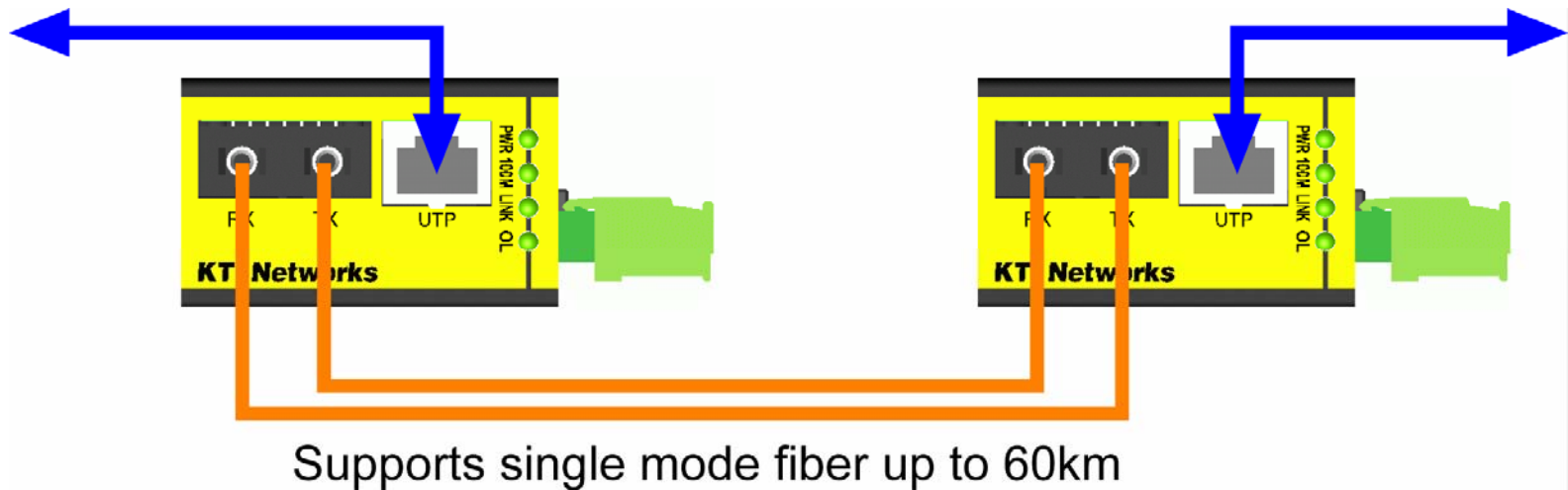
Industrial Mounting Support

Din-rail mounting, Panel mounting, Wall mounting

EMC & EMI

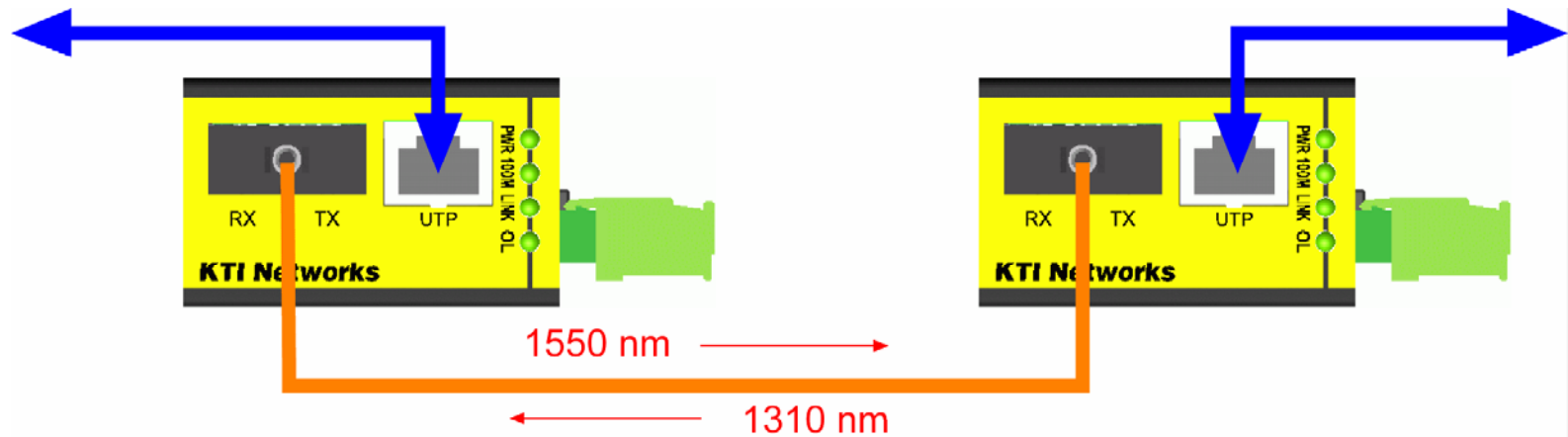
Industrial-rated Emission and Immunity performance

Application 1: Long Reach SMF



* Request for more than 60km, call sales representative.

Application 2: Bi-Di Single Fiber



Supports single fiber Bi-Directional communication